

STORAGE TANKS

VERTICAL GLASS LINED JACKETED AND INSULATED OR BARE ASME

RBI tanks are designed for the efficient, heat retaining storage of hot water supply systems. Ranging in size from 200 – 1,000 gallon capacities RBI's storage tanks offer complete application flexibility and are the perfect complement to RBI's high efficiency water heaters and boilers.

Available in both jacketed/insulated and bare configurations all RBI storage tanks are ASME certified and use the latest advancements in interior tank lining technology for maximum performance and durability. **Ultonium®**, RBI's glass-lining is specifically formulated for hot water applications and provides an ultra-durable wear resistant lining that minimizes the effects of high temperatures associated with water heating.

RBI storage tanks provide advanced engineering, quality materials, premium performance and long service life to any water heating application.

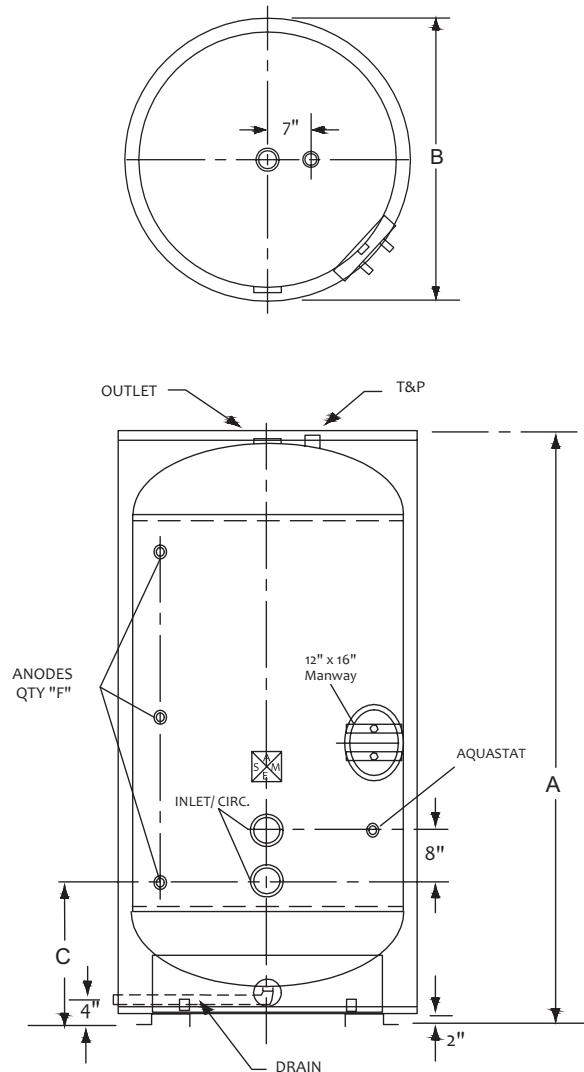
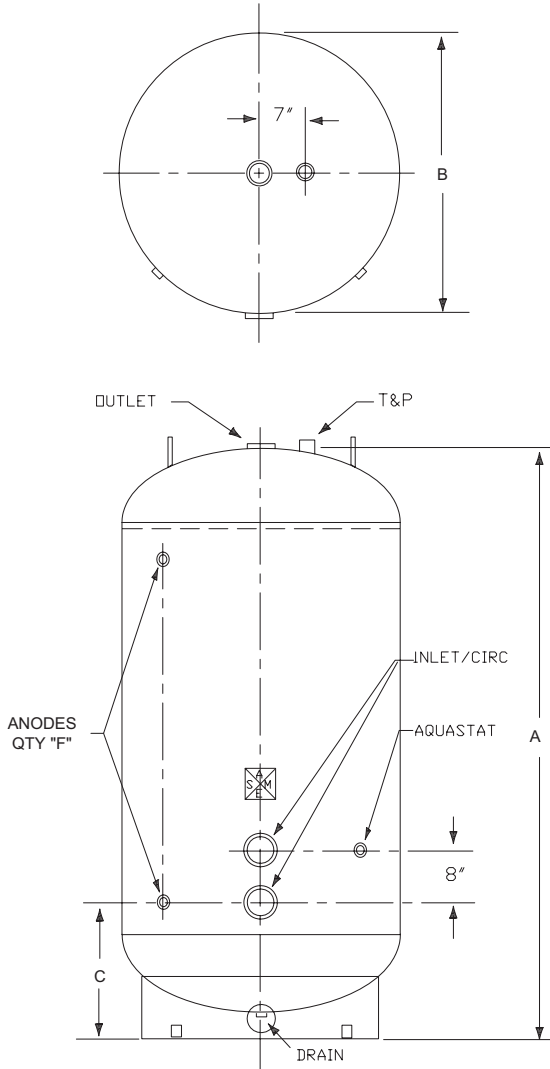
- ASME Certified HLW Stamp
- Ultonium® Glass Lining
- 2" True Dielectric NPT Fittings
- 125 PSI Certified Working Pressure
- Magnesium Anode Rods
- Heavy Gauge Steel Construction
- 2" Non-CFC Foam Insulation
- Durable Heavy Gauge Steel Jacket
- 5-Year Warranty
- 10-Year Warranty (Double Glass Lining Only)



Storage Tanks — Bare — Vertical Glass Lined			
Model	Capacity (Gals.)	Height	Width
V200B	200	79-1/2"	28"
V240B	240	89"	30"
V310B	310	82"	36"
V435B	435	85"	42"
V505B	505	97"	42"
V675B	675	100"	48"
V860B	860	124"	48"

Storage Tanks — Jacketed — Vertical Glass Lined			
Model	Capacity (Gals.)	Height	Width
V200J	200	78"	32"
V240J	240	93"	34"
V310J	310	86"	40"
V435J	435	89"	46"
V505J	505	101"	46"
V675J	675	104"	52"
V860J	860	128"	52"

STORAGE TANKS



Storage Tanks - Bare - Dimensions

Model	"A"	"B"	"C"	"F"	Weight (lbs.)
V200B*	79.5"	28"	11-1/8"	2	435
V240B	89"	30"	17-1/2"	2	520
V310B	82"	36"	19"	2	588
V435B	85"	42"	20-1/2"	2	783
V505B	97"	42"	20-1/2"	3	874
V675B	100"	48"	22"	3	1,298
V860B	124"	48"	22"	3	1,567

Storage Tanks - Jacketed - Dimensions

Model	"A"	"B"	"C"	"F"	Weight (lbs.)
V200J*	78"	32"	11-1/4"	2	541
V240J	93"	34"	19-1/2"	2	700
V310J	86"	40"	21"	2	782
V435J	89"	46"	22-1/2"	2	1,024
V505J	101"	46"	22-1/2"	3	1,168
V675J	104"	52"	24"	3	1,653
V860J	128"	52"	24"	3	1,947

*150 P.S.I. standard

NOTE: Tanks shown are rated for 125 M.A.W.P.

Standard: 125 P.S.I. Consult factory for optional working pressures.

Consult factory for tanks larger than 860 gallons.

Manway included on all tanks with a diameter of 42" or larger.

RBI®
RELIABLE. BOLD. INNOVATIVE.

260 North Elm Street, Westfield, MA 01085

Tel. 833-265-5371

7555 Tranmere Drive, Mississauga, Ontario L5S 1L4

Tel. (905) 670-5888

www.rbiwaterheaters.com

 A MESTEK COMPANY